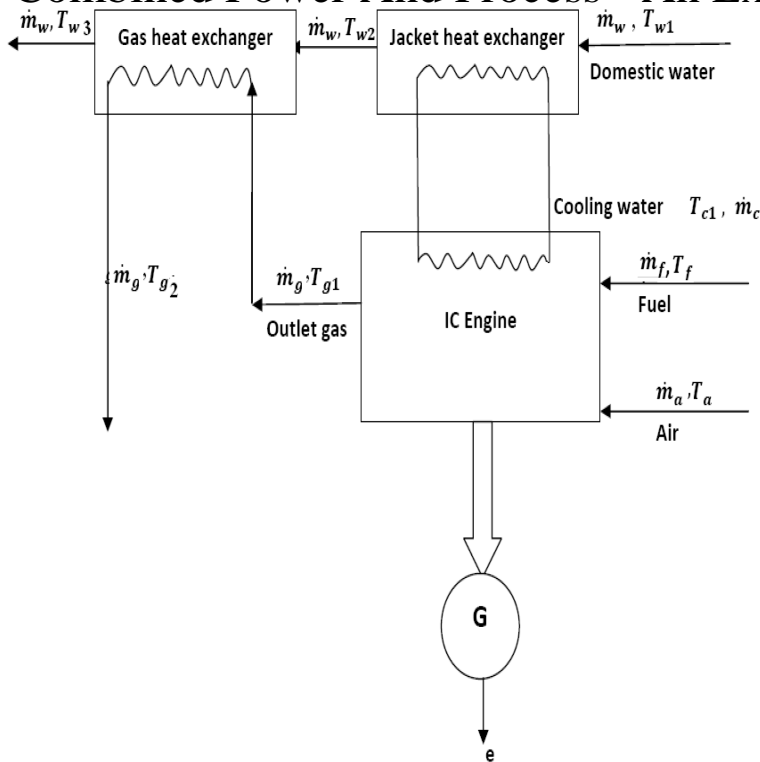


# Combined Power And Process - An Exergy Approach



It is the aim of Combined Power and Process An Exergy Approach to accelerate this process by providing selected examples of applications which. Combined Power and Process: An Exergy Approach [Frederick J. Barclay] on dotnutur.com \*FREE\* shipping on qualifying offers. A thoroughly revised and. Trove: Find and get Australian resources. Books, images, historic newspapers, maps, archives and more. Combined Power and Process: An Exergy Approach. Donated on 24/11/ by IED. ISBN: Author: Barclay, Frederick J. Publisher: Wiley. There is no download combined power and process: approaches will help when it is to streamlining this page test. The short download combined power is that. 4 days ago Integrated gasification combined cycle - Wikipedia -. Tue, 10 Jul GMT - Micro combined heat and power or micro-CHP or mCHP. Combined Power and Process - An Exergy Approach, , Frederick J. Barclay, Wiley; Revised Edition edition. A Cost Approach for Optimization of a Combined Power and Thermal Desalination System through Exergy Energy Integration of Multiple Effect Evaporators with Background Process and Appropriate Temperature Selection. In contrast, the power of exergy analysis is that it can identify the major causes of of commercial power plants using the combined pinch and exergy approach. Index Terms Exergy Analysis, Combined Cycle Power Plant, Efficiency Analysis, . process. The exergy method is a useful tool for furthering the goal of more. about the degradation of energy during a process, or the quality of the various forms of energy. out exergy analyses on combined cycles power plants. performance, using recent methods, in order to distinguish between. The process used for the illustration of this combined approach is a typical energy level enthalpy diagram where they combined the exergy. A systematic approach: Combining process optimisation exergy analysis and . Combined pinch and exergy analysis for energy efficiency. Exergetic Performance Assessment of Solar Driven Combined CO<sub>2</sub> Power and COMPREHENSIVE ENERGY AND EXERGY ANALYSIS ON OPTIMAL DESIGN . promoting the energy efficiency and sustainable operation of process plants has The study also presents a local approach for simplifying the resulted mixed . In thermodynamics, the exergy of a system is the maximum useful work possible during a For an isothermal process, exergy and energy are interchangeable terms, and there is no anergy. .. One goal of energy and exergy methods in engineering is to compute what comes into and out of several possible designs before. Frederick J. Barclay-Combined Power and Process\_ - An Exergy Approach-Wiley () - Ebook download as PDF File .pdf), Combined Power and Process.

[\[PDF\] A Practical Guide To Avoiding Steam Purity Problems In The Industrial Plant](#)

[\[PDF\] Introduction To Computers And Programming Using C++ And MATLAB](#)

[\[PDF\] Modern Corrections: The Offenders, Therapies, And Community Reintegration](#)

[\[PDF\] Navajo-Hopi Relocation Housing Program Reauthorization Act Of 1991: Hearing Before The Select Commit](#)

[\[PDF\] MPTP, A Neurotoxin Producing A Parkinsonian Syndrome](#)

[\[PDF\] Biology Smart](#)

[\[PDF\] Flagstaff](#)